

# AURORALIGHT

PROJECT: \_\_\_\_\_

SKU #: \_\_\_\_\_

TYPE: \_\_\_\_\_

## DOMI

BLD850740

The Domi series of LED Bollards is the latest addition to our growing line of innovative and exquisite area light luminaires. Ideal for illuminating grand pathways, estate-sized driveways, and expansive outdoor spaces.

- Field Serviceable LED module
- Solid brass and copper construction
- Ideal for grand pathways and estate-sized driveways



### CONFIGURATOR:

BLD850740	LED	FINISH
	<input type="text"/>	<input type="text"/>
	( <b>2718</b> ) 2700K 18W	<b>(NAT)</b> Natural Brass
	( <b>2722</b> ) <b>2700K 22W</b>	(BLP) Bronze Living Patina
	(3018) 2700K 18W	(BLPX) Extra Dark BLP
(3022) 3000K 22W	(NI) Nickel PVD	

**( ) = Most common configuration**

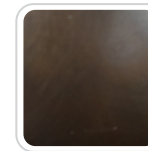
### AVAILABLE FINISHES:



**NAT**  
Natural Brass/  
Copper



**BLP**  
Bronze Living  
Patina



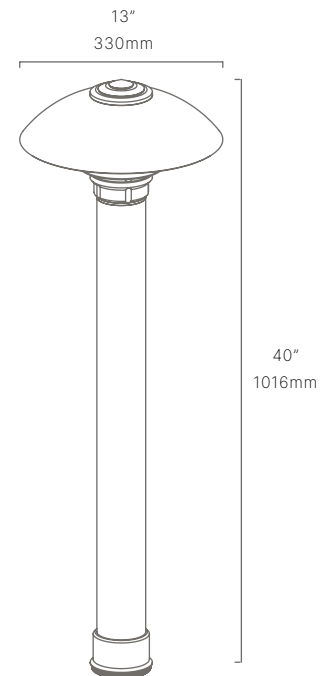
**BLPX**  
Extra Dark Bronze  
Living Patina



**NI**  
Nickel PVD

FIXTURE DIMENSIONS	W13" x H40"
LIGHT SOURCE	Integrated LED
COLOR TEMPERATURES	2700K, 3000K
WATTAGES	18W, 22W
CRI (RA)	80 CRI
VOLTAGE	120V
DELIVERED LUMENS	976lm (3000K)
DIMMABLE	Yes, Dim to <10% via Transformer
DRIVER	Yes, 12V Integral Constant Current
TRANSFORMER	Yes, Integral Electronic 60W 120-12V
MOUNT	Yes, Included Leveling Pedestal
FINISH	Included Natural
MATERIAL	Brass & Copper
WIRE LENGTH	24"
LOCATION	Exterior Wet
CERTIFICATIONS	UL, IP66, IP67

\*For complete warranty terms, please visit: [www.auroralight.com/warranty/](http://www.auroralight.com/warranty/)



P. 760.931.2910

O. 2742 Loker Ave. W Carlsbad CA 92010

W. [www.auroralight.com](http://www.auroralight.com)

MADE IN USA  
WITH DOMESTIC & IMPORTED MATERIALS



# AURORALIGHT

PROJECT:

SKU #:

TYPE:

P. 760.931.2910

O. 2742 Loker Ave. W Carlsbad CA 92010

W. [www.auroralight.com](http://www.auroralight.com)

MADE IN USA  
WITH DOMESTIC & IMPORTED MATERIALS

